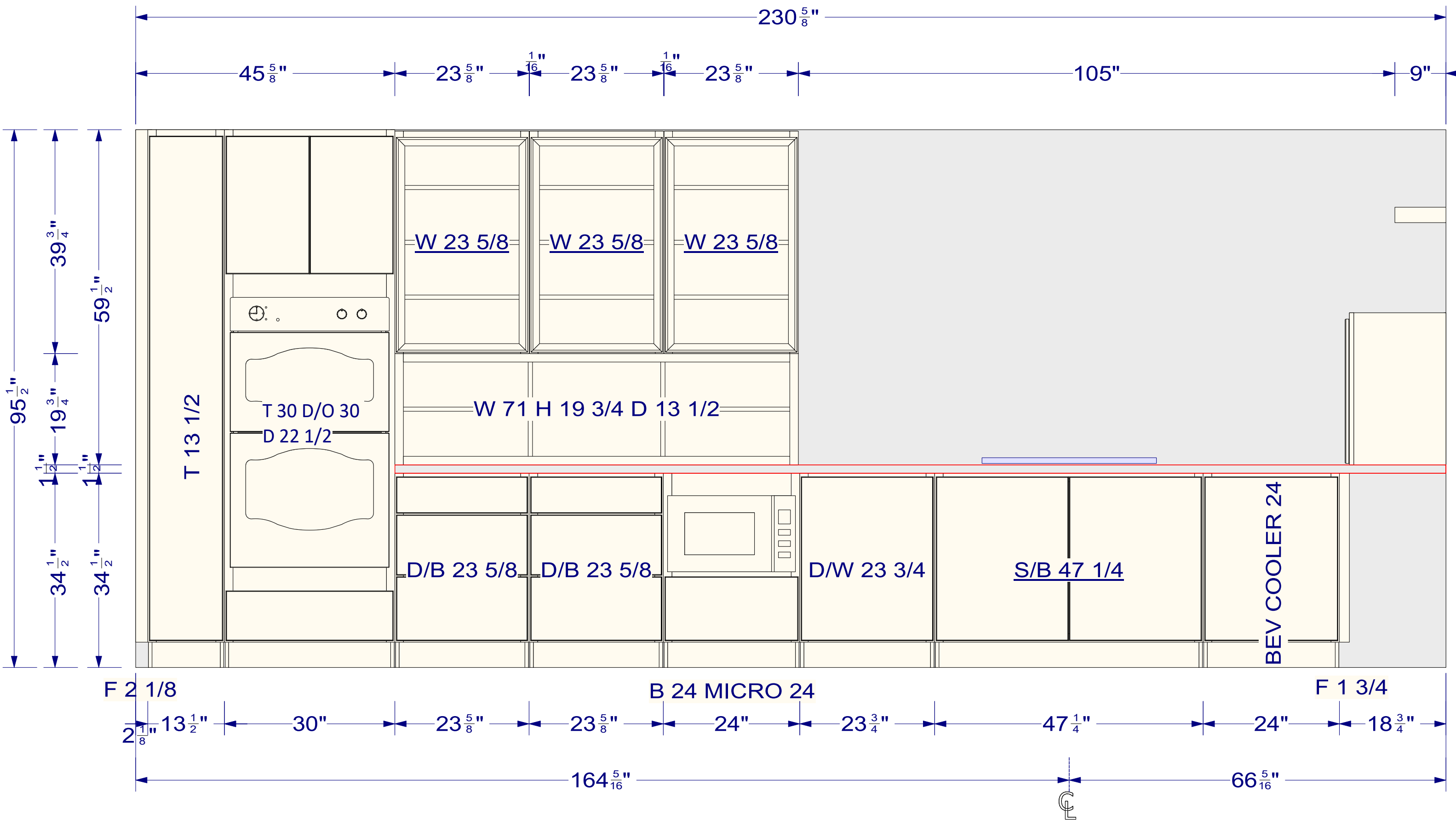


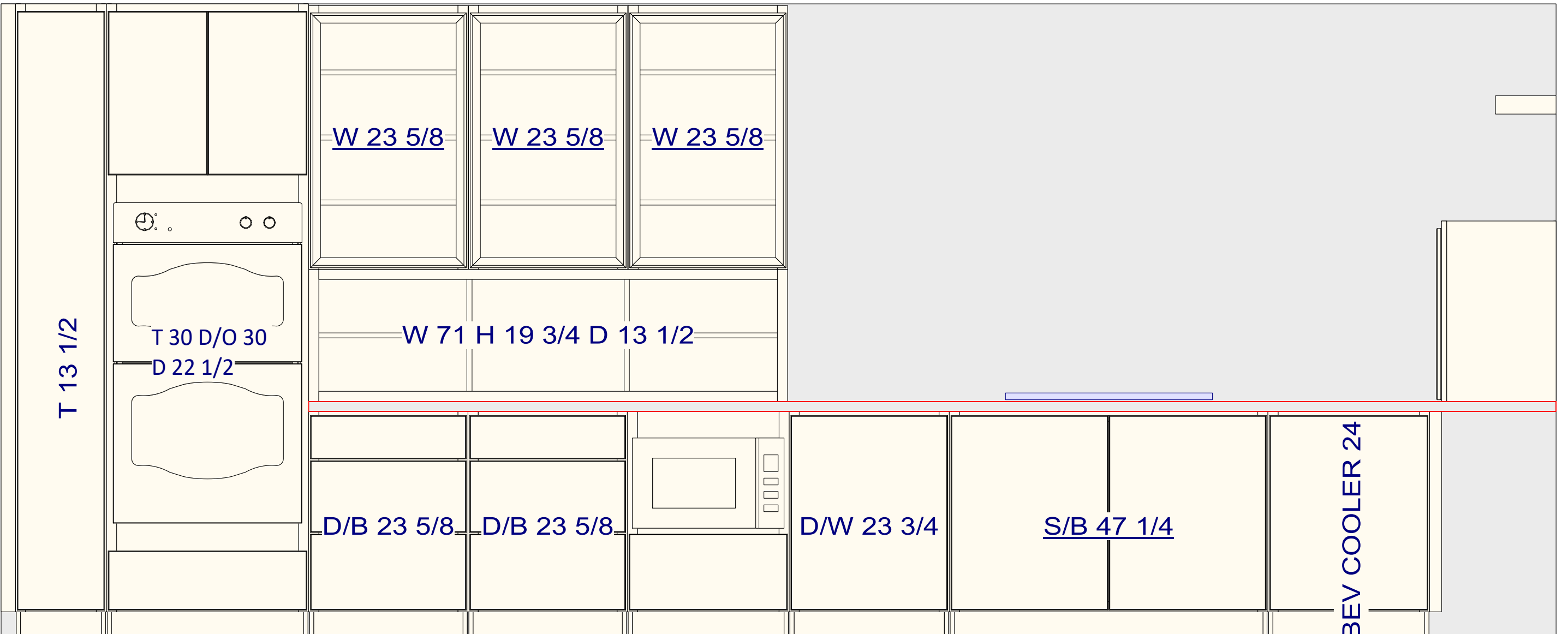
A0160

OVERALL HEIGHT - $95\frac{1}{2}$ "
 FULL HEIGHT - $95\frac{1}{2}$ "
 UPPER HEIGHT - $39\frac{1}{2}$ "
 UPPER DEPTH - 14 "



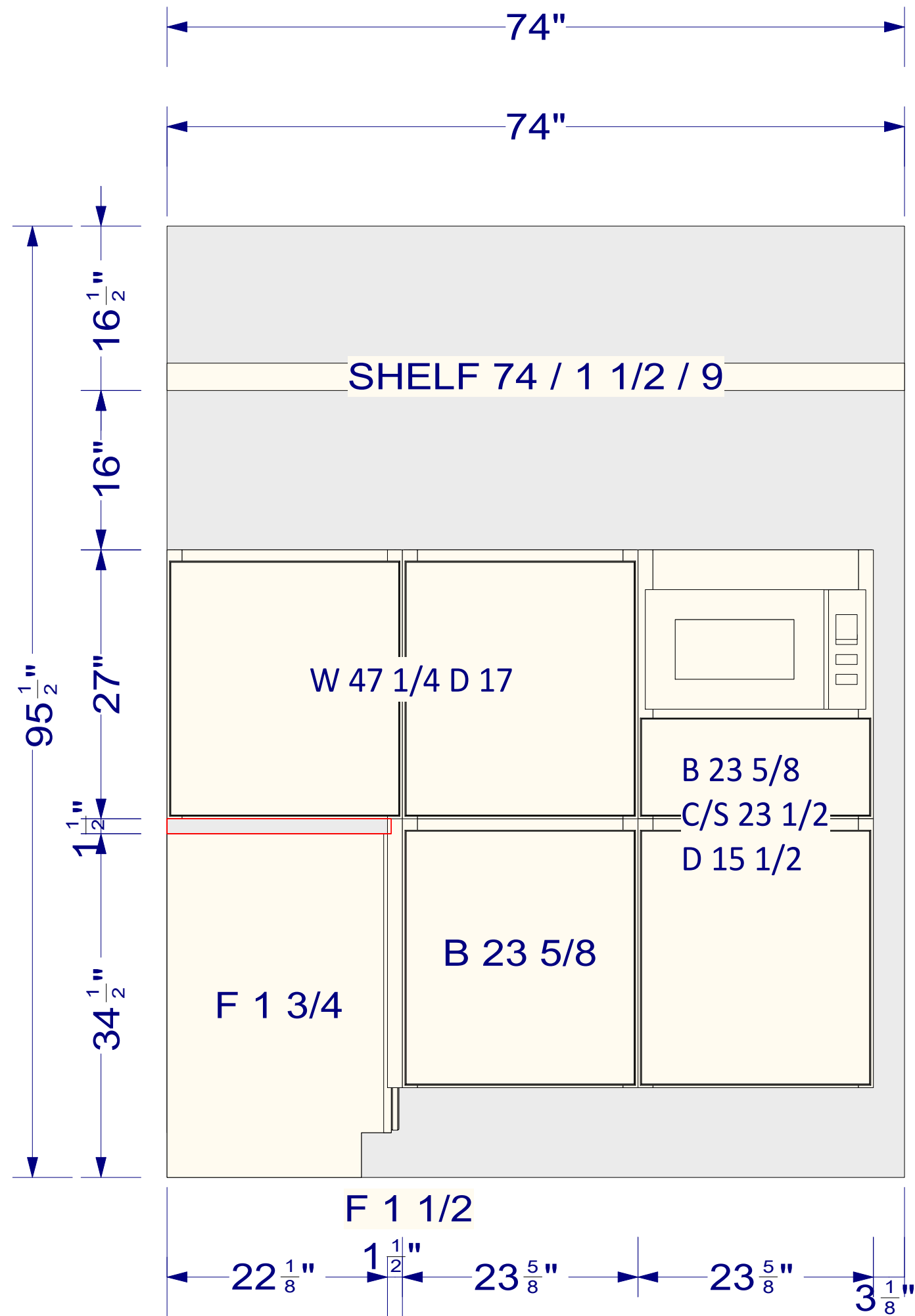
95 1/2"
 39 3/4"
 59 1/2"
 19 3/4"
 1 1/2"
 1 1/2"
 34 1/2"
 34 1/2"

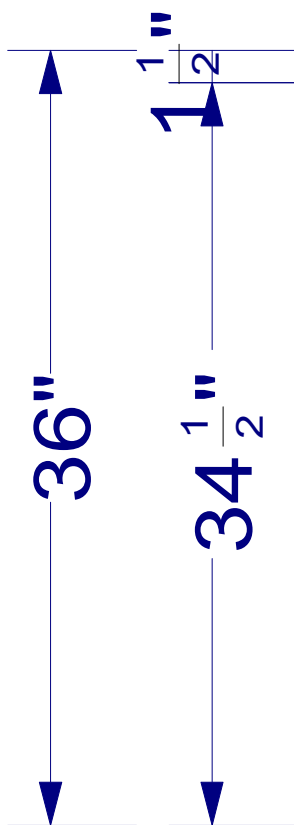
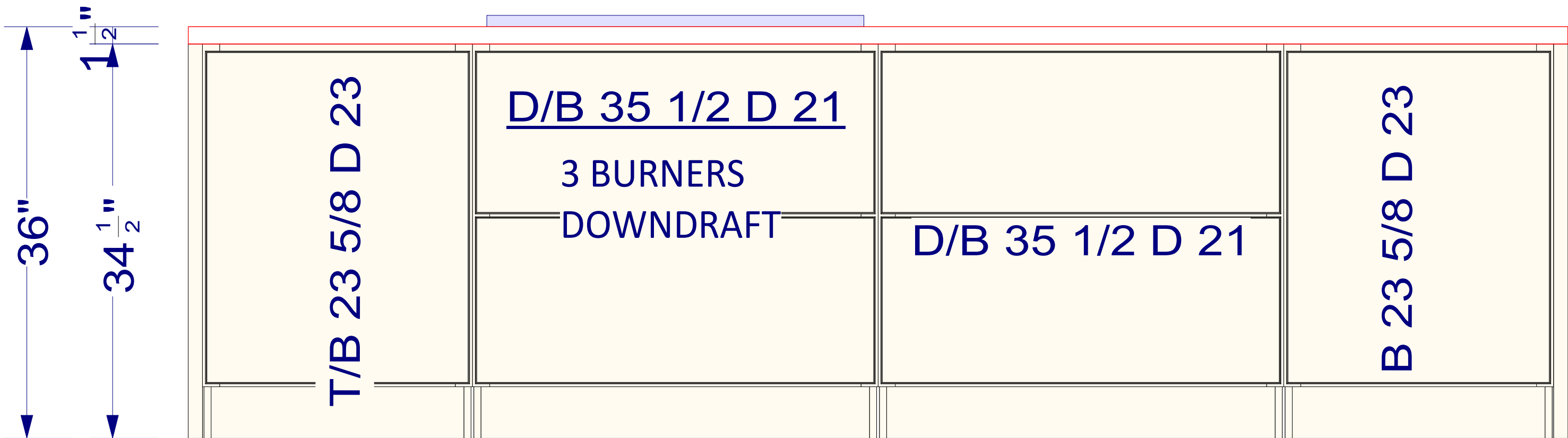
230 5/8"
 45 5/8"
 23 5/8"
 1 1/16"
 23 5/8"
 1 1/16"
 23 5/8"
 105"
 9"



F 2 1/8
 2 1/8"
 13 1/2"
 30"
 23 5/8"
 23 5/8"
 24"
 23 3/4"
 47 1/4"
 24"
 18 3/4"
 F 1 3/4
 164 5/16"
 66 5/16"

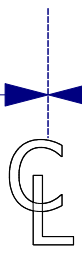
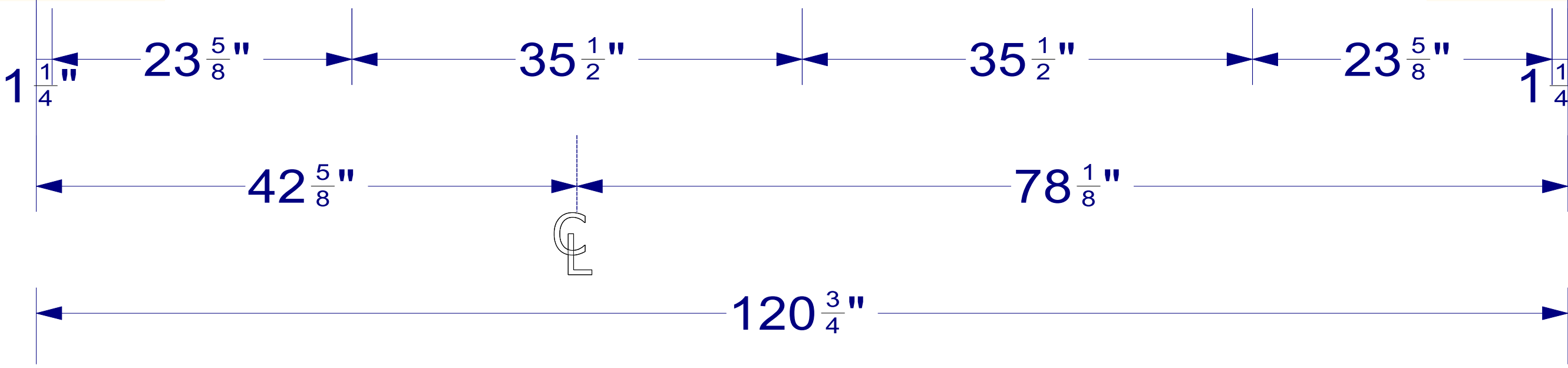


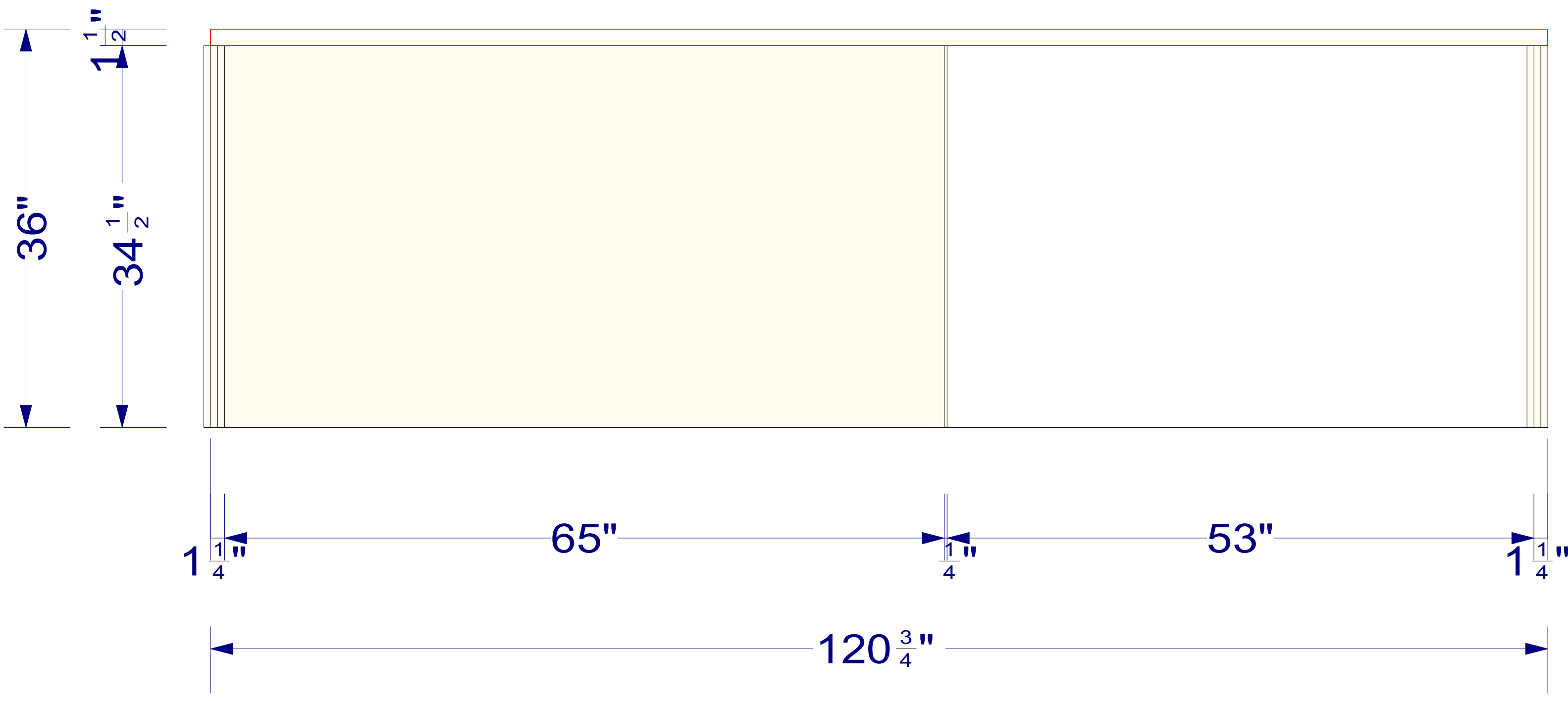


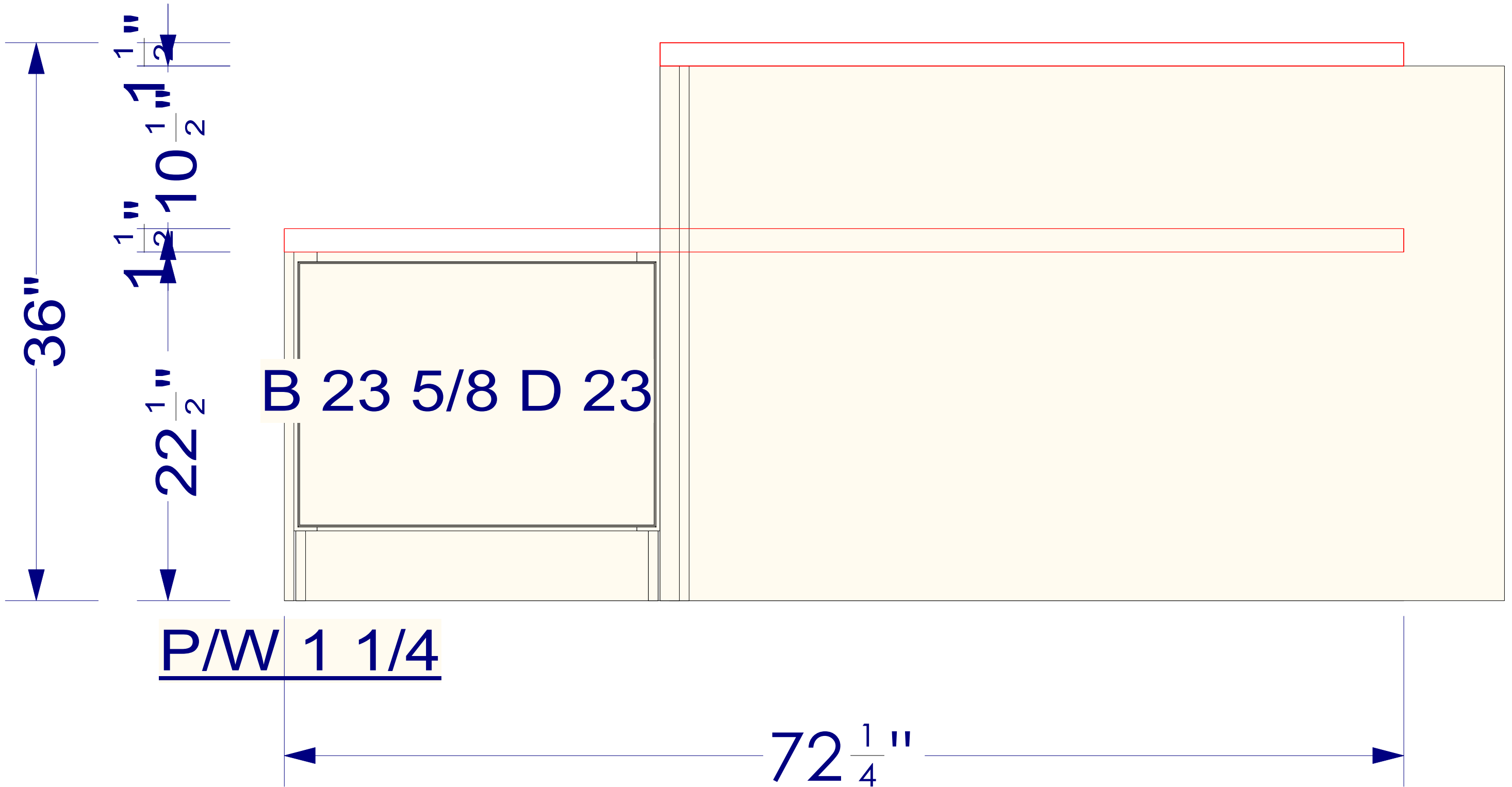


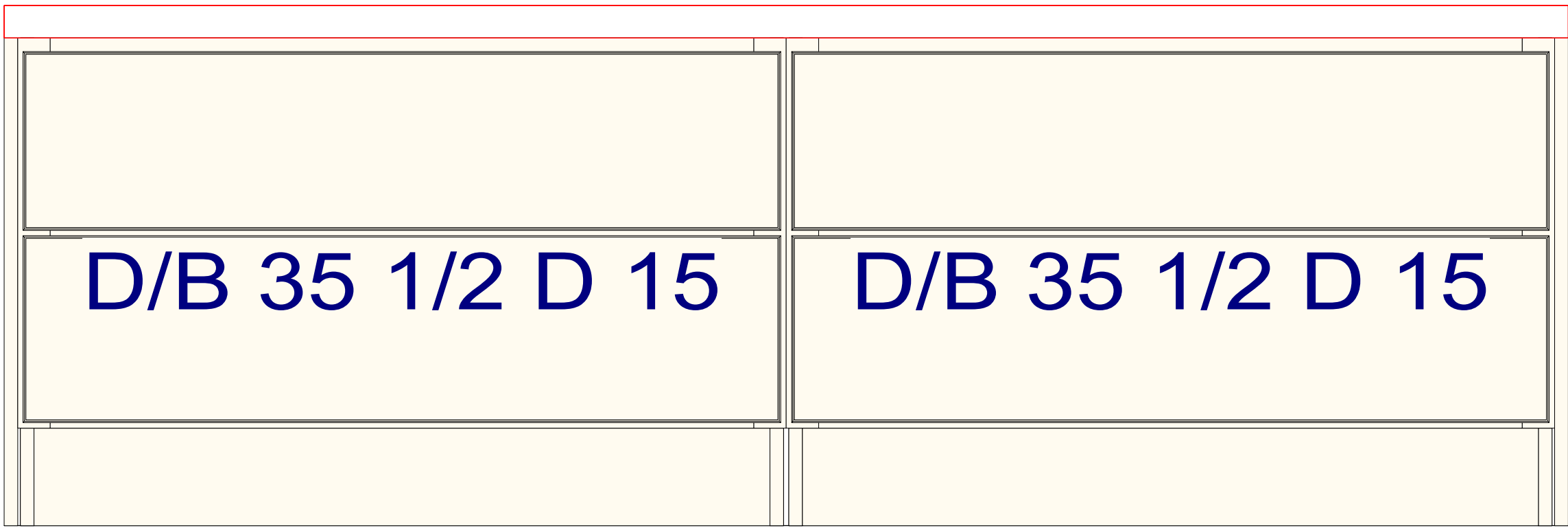
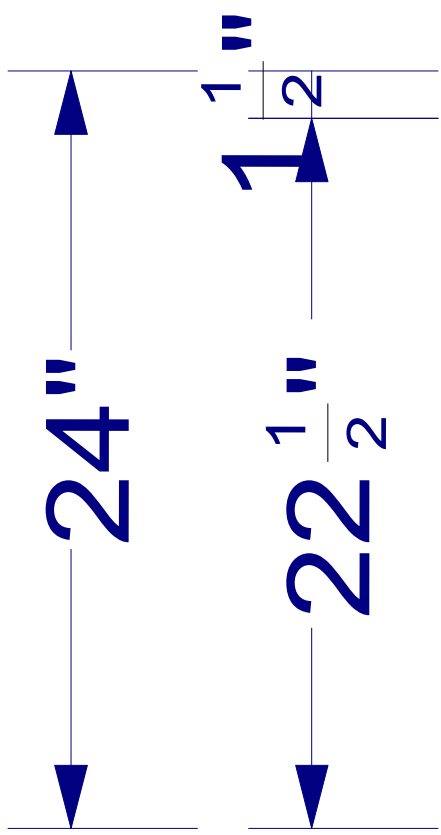
P/W 1 1/4

P/W 1 1/4









P/W 1 1/4

