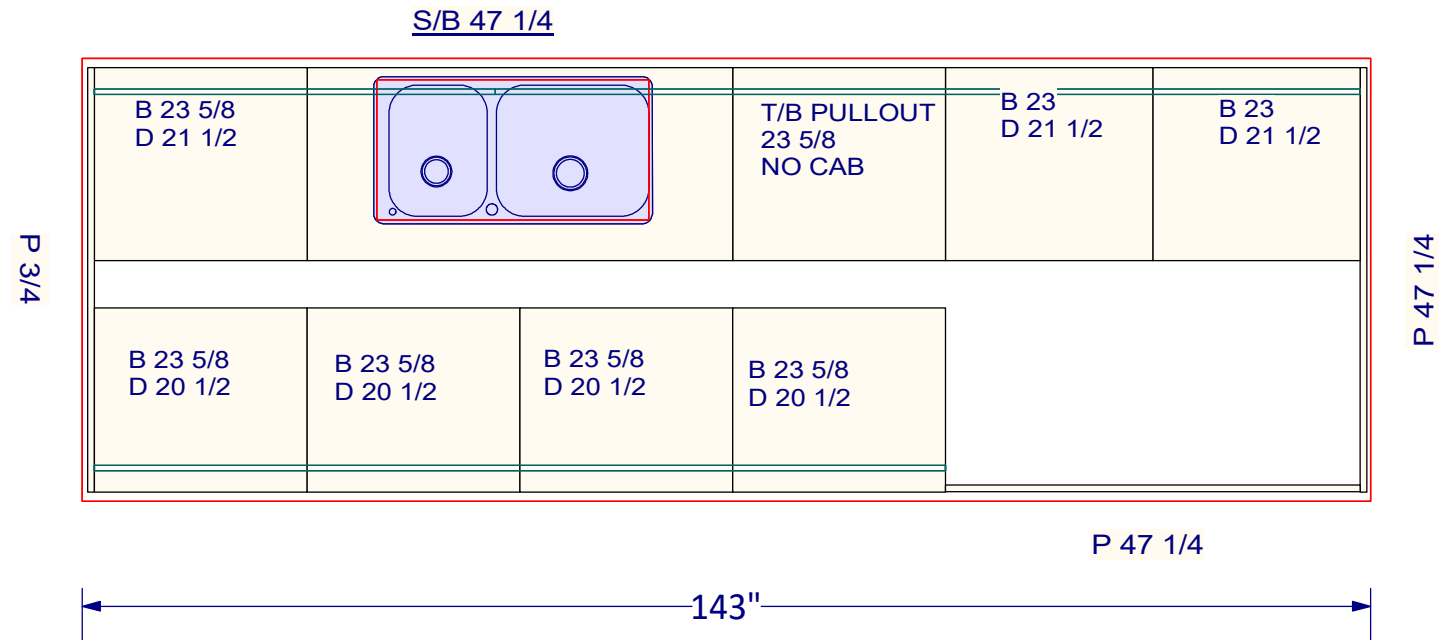
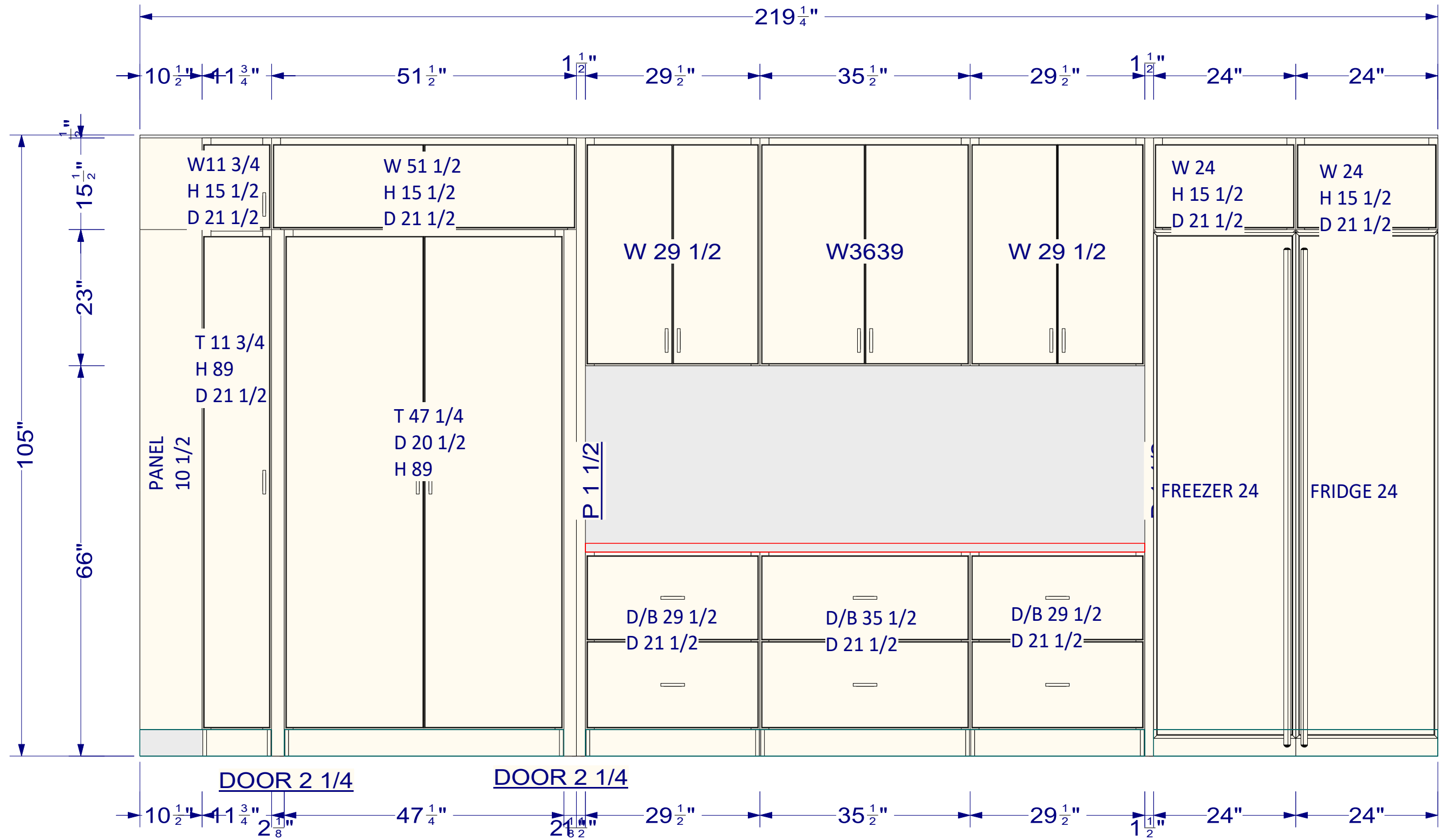
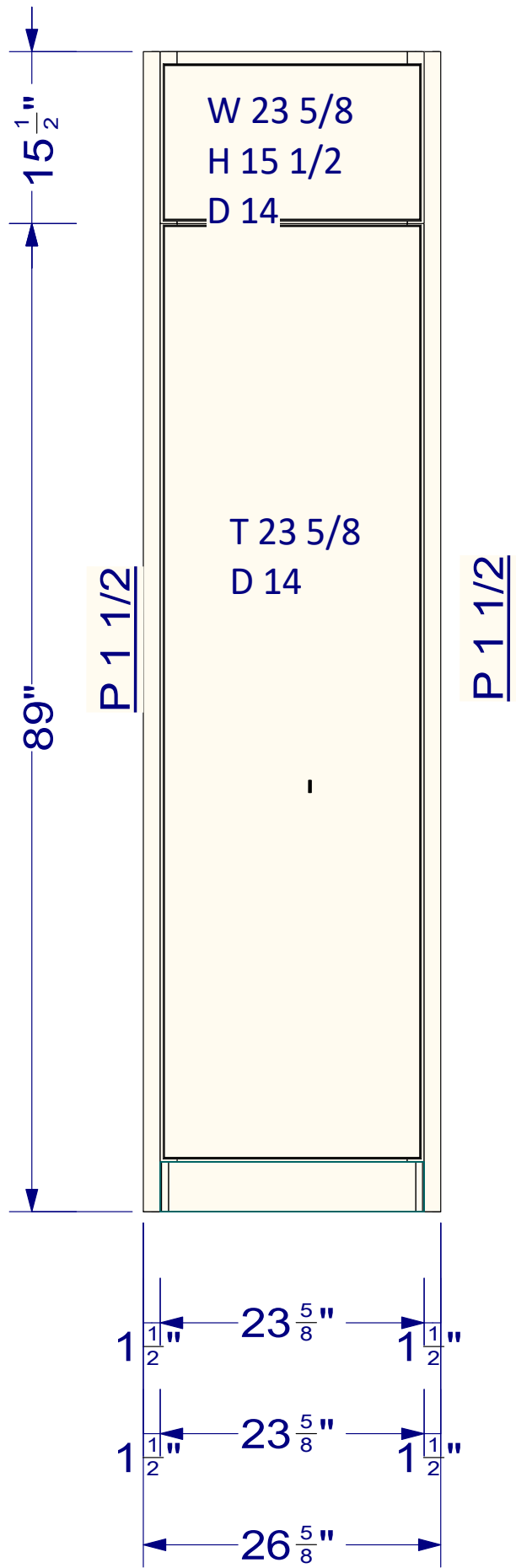


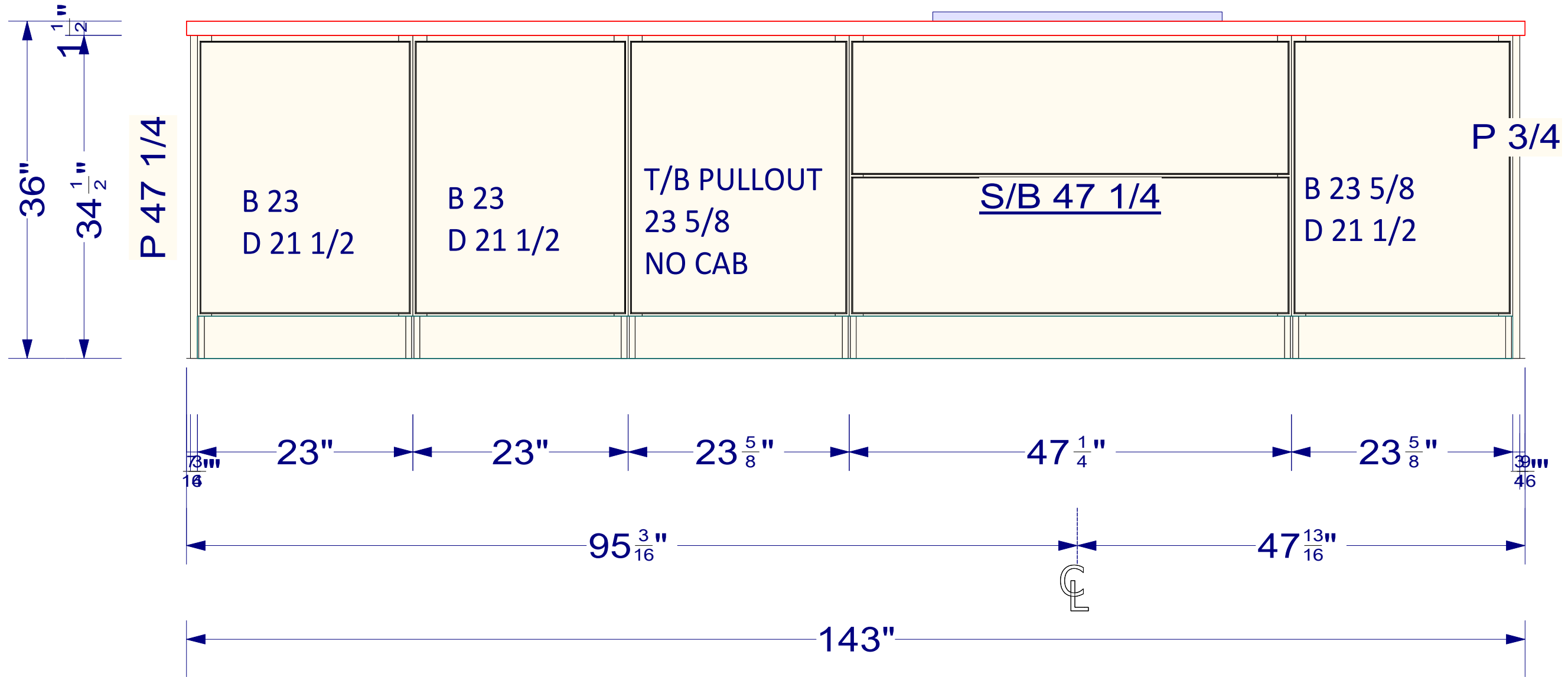
A0209 DISPLAY A

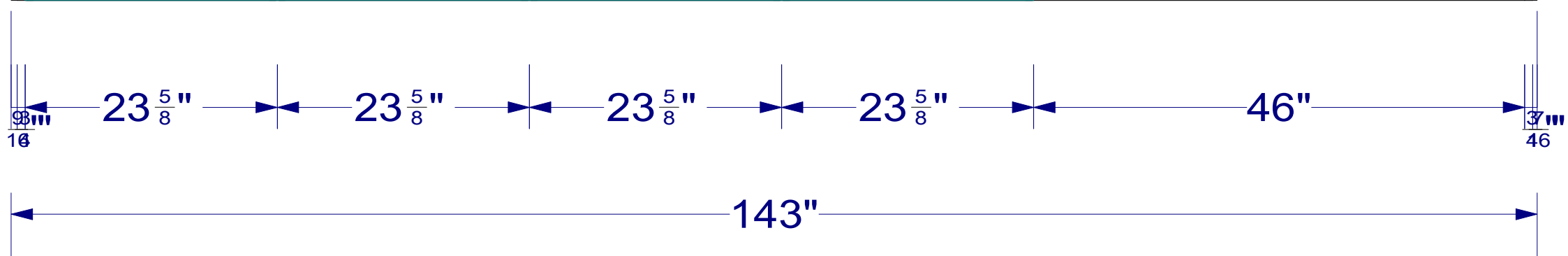
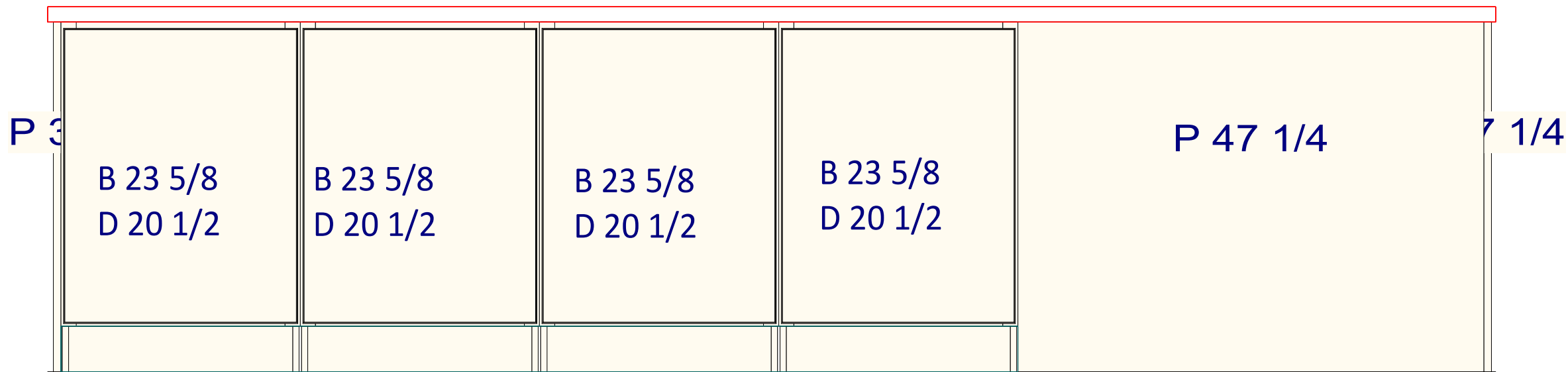
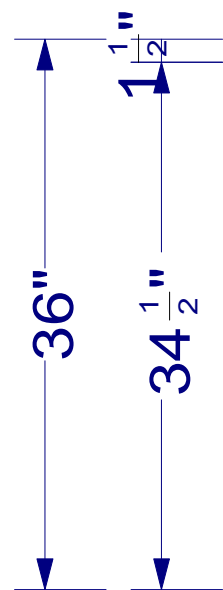
OVERALL HEIGHT- 105"
 FULL HEIGHT- 89 1/2"
 UPPER HEIGHT-38 1/2"
 UPPER DEPTH-13"











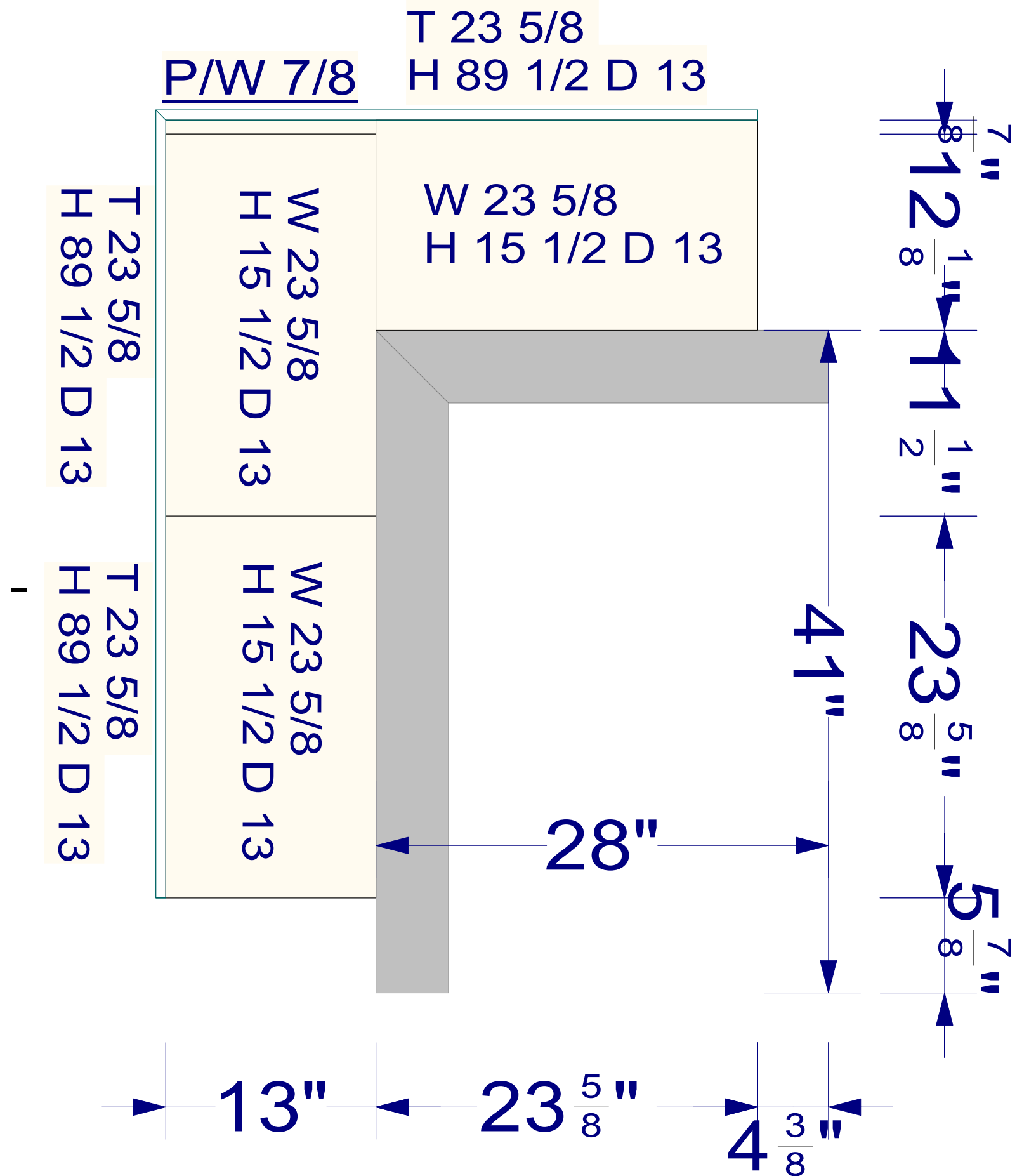
A0209 DISPLAY B

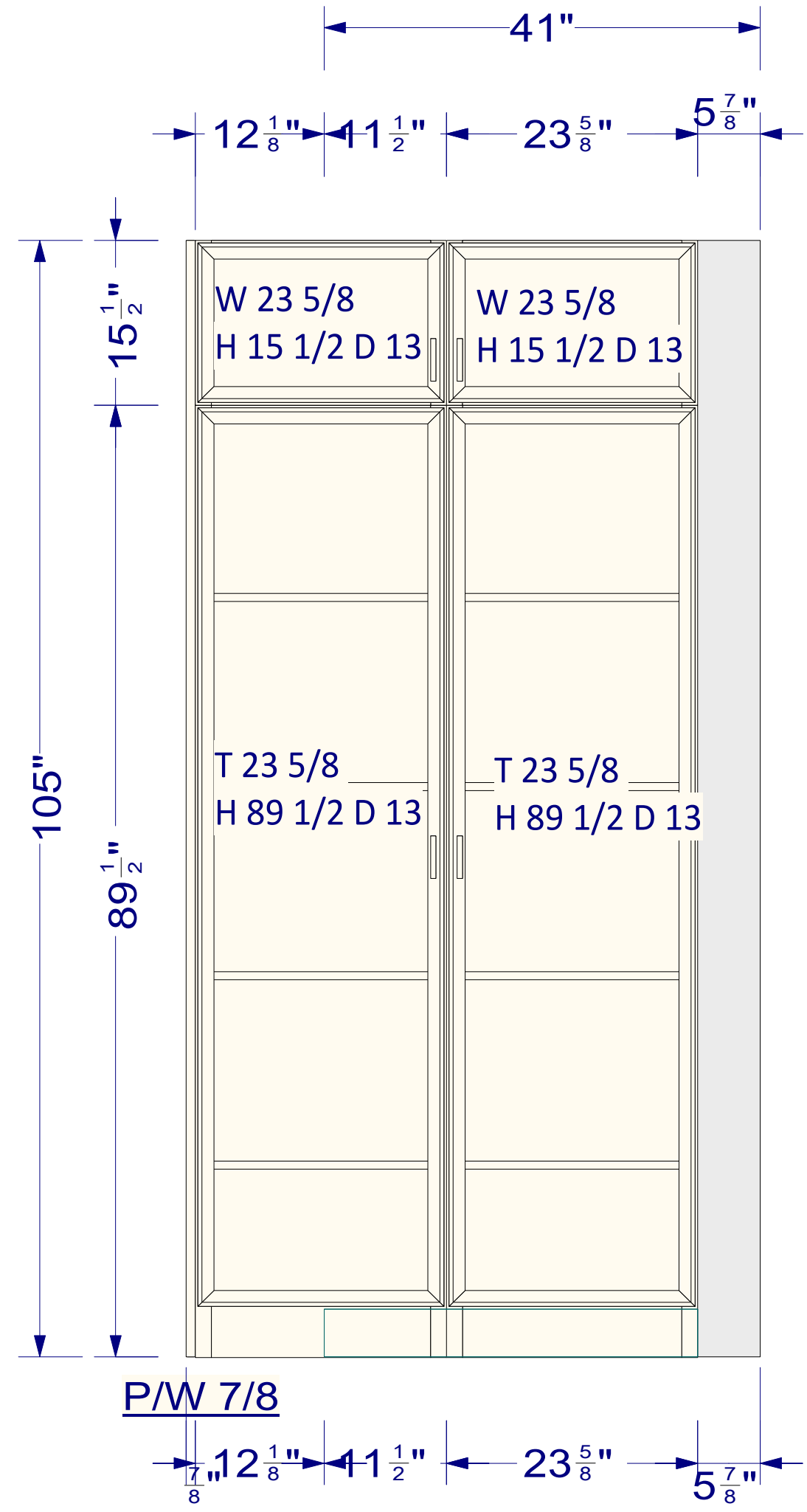
OVERALL HEIGHT = 105"

FULL HEIGHT =

UPPER HEIGHT =

UPPER DEPTH =





W 23 5/8
H 15 1/2 D 13

W 23 5/8
H 15 1/2 D 13

T 23 5/8
H 89 1/2 D 13

T 23 5/8
H 89 1/2 D 13

P/W 7/8

12 1/8"

1 1/2"

23 5/8"

5 7/8"

41"

105"
15 1/2"
89 1/2"

