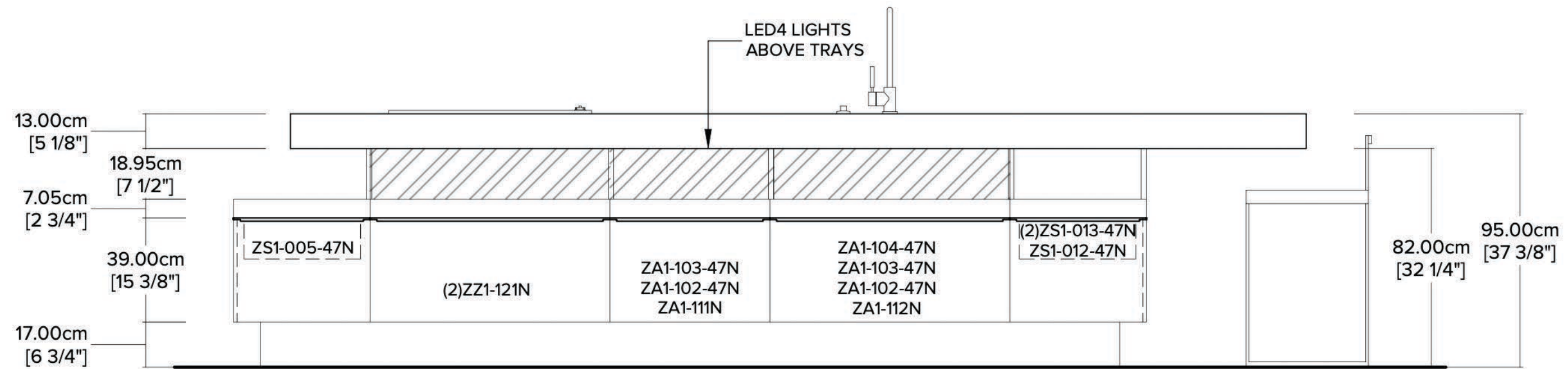
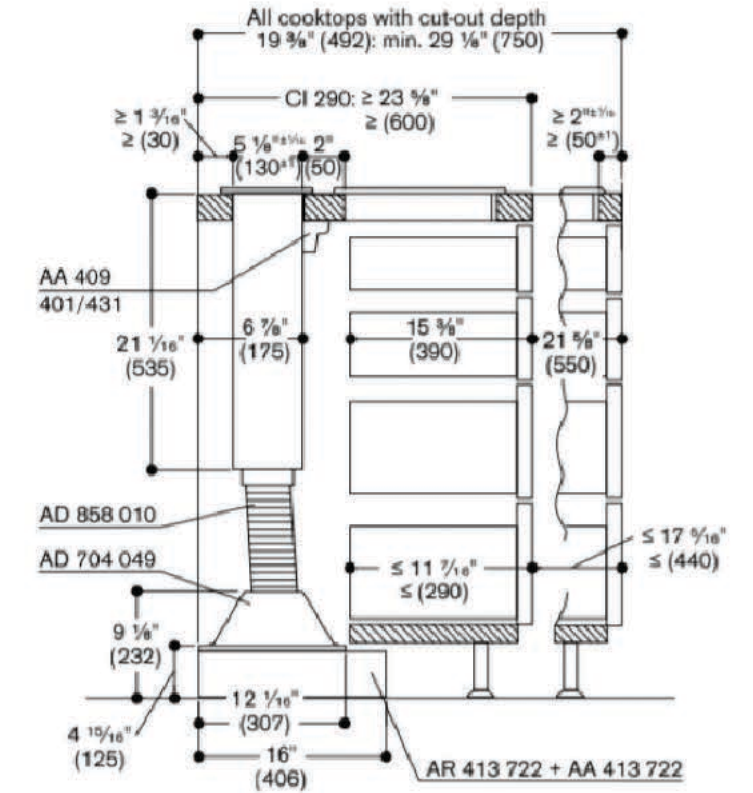
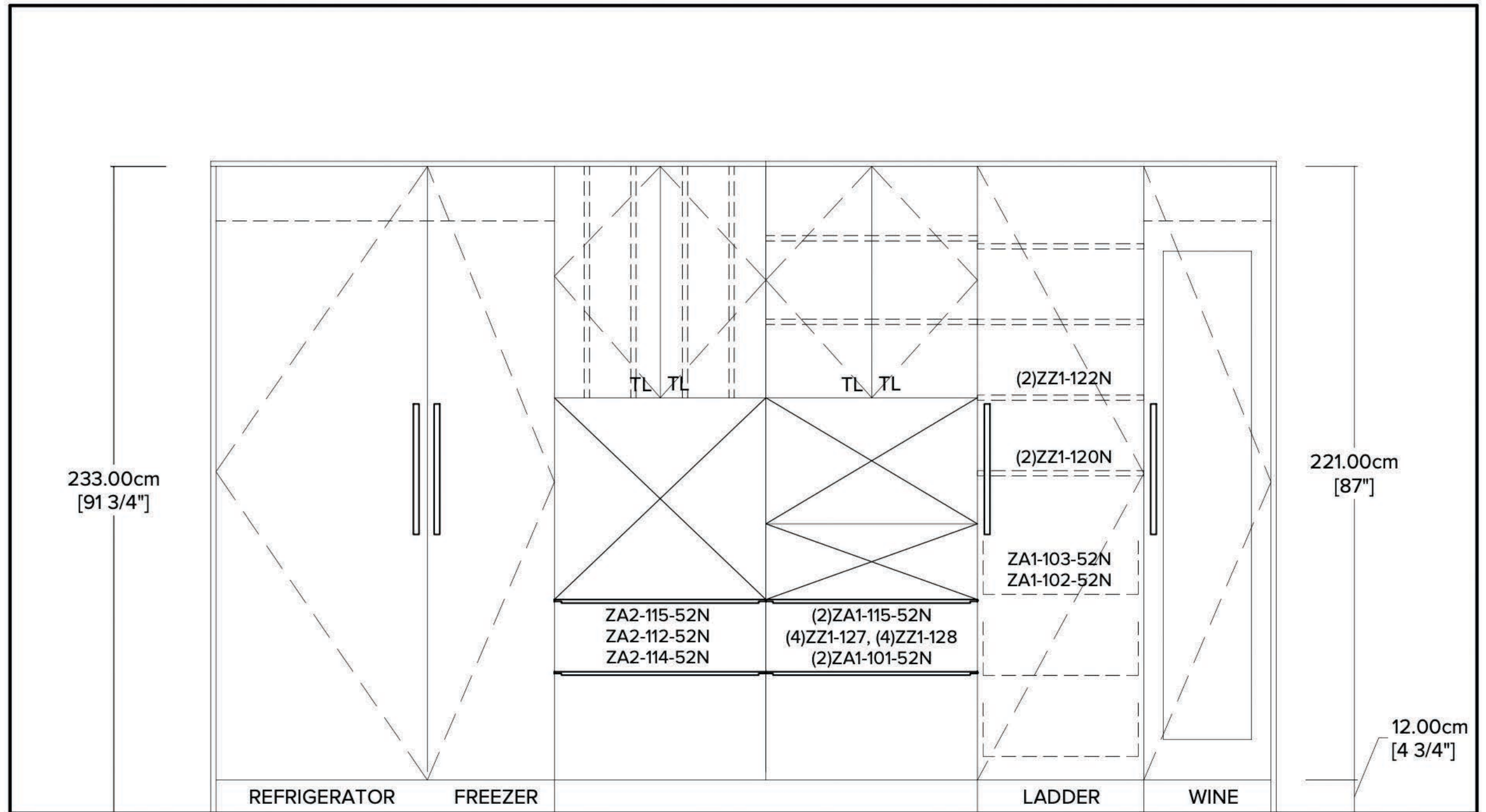


A +MODO Elevation

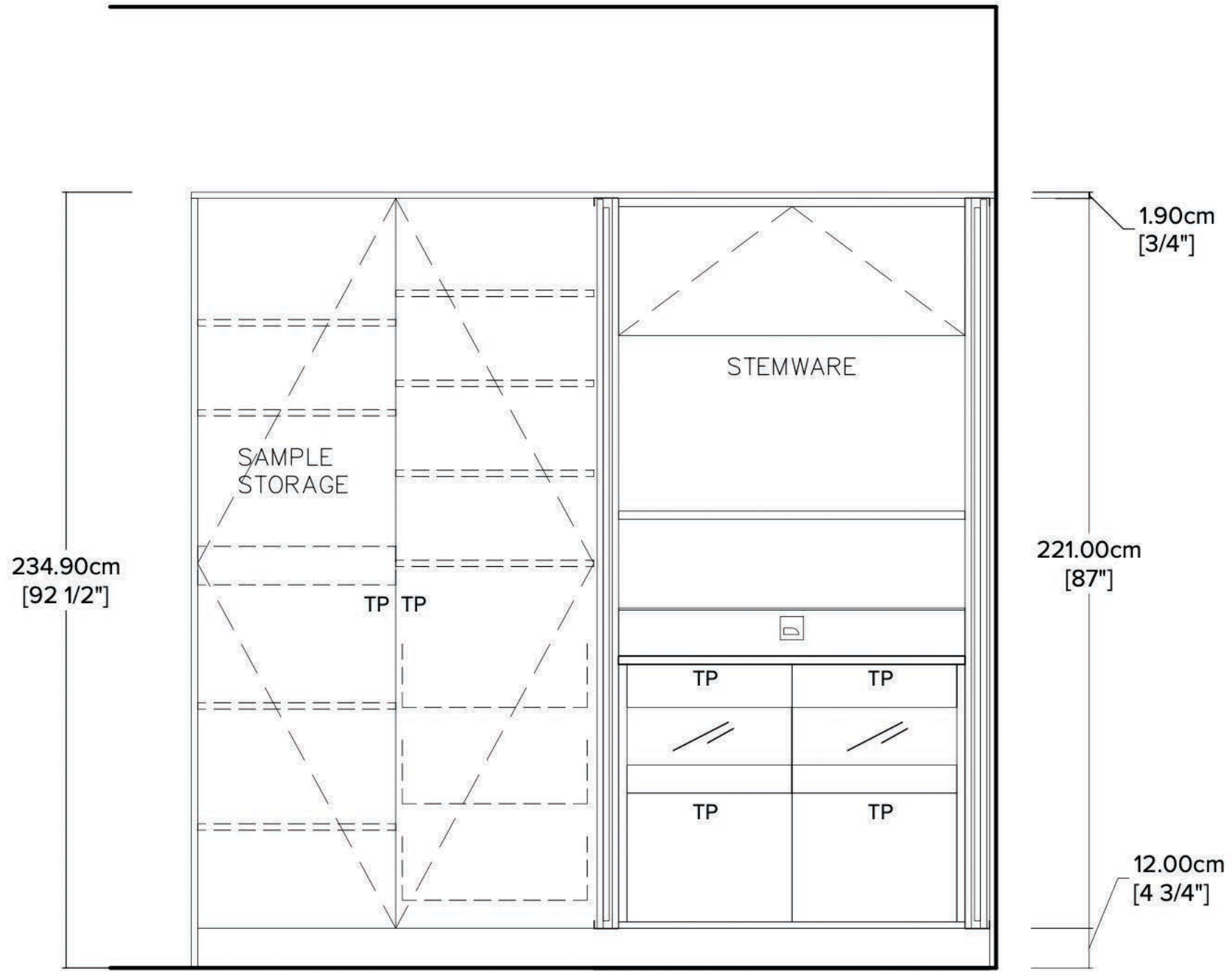
Cross-section of lower cabinet for AL 400 (without back wall) with AR 413; connection at the bottom



B +MODO Elevation



A ELEVATION



(D) ELEVATION